

6

5

4

3

2

1

REVISION					
ZONE	REV	DESCRIPTION	DATE	CHANGED BY	APPROVED
	H	UPDATED PER ECO-14882	08/18/2025	HBAKKE	GUTTADAURO

F

E

D

C

B

A

F

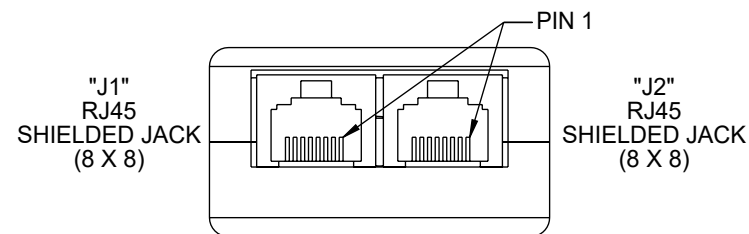
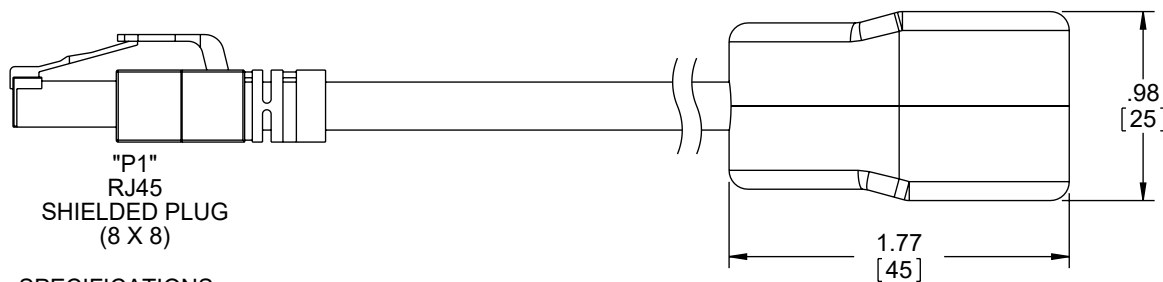
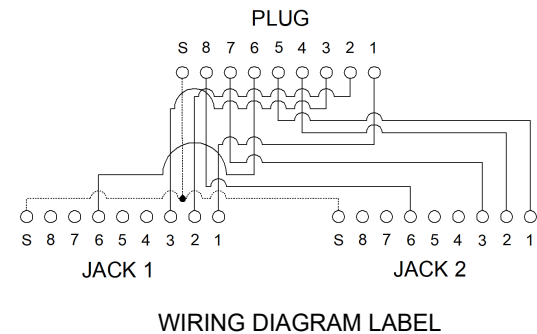
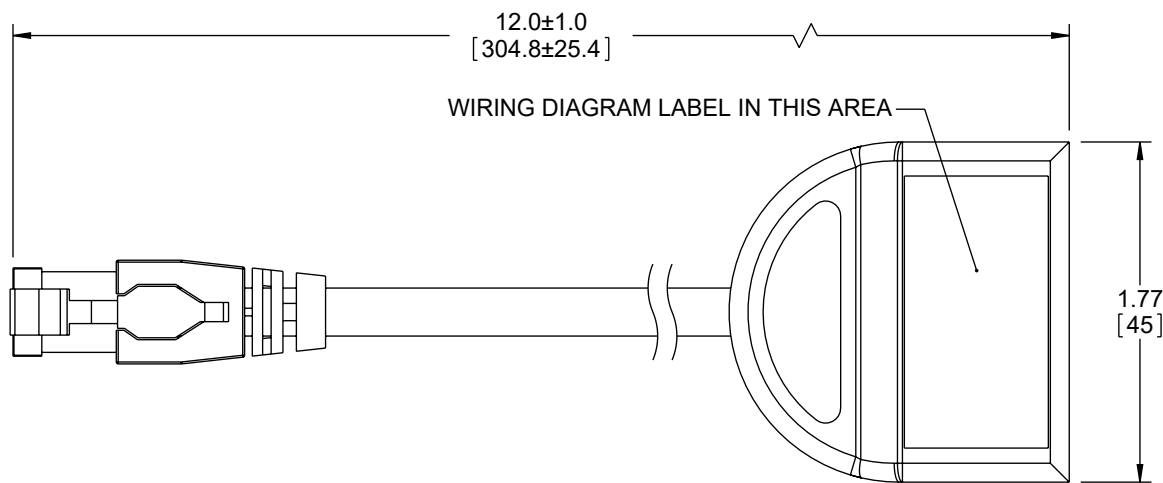
E

D

C

B

A



**SPECIFICATIONS:**

- MATERIALS**  
 PLUG: POLYCARBONATE, UL94V-1  
 CONTACTS: PHOSPHOR BRONZE WITH 30 μINCHES GOLD PLATE ON CONTACT SURFACES  
 JACKS HOUSING: HIGH IMPACT, FLAME RETARDANT PLASTIC, GRAY, UL94V-0  
 CONTACTS: PHOSPHOR BRONZE WITH 30 μINCHES GOLD PLATE ON CONTACT SURFACES  
 DURABILITY: 500 CYCLES MIN  
**ELECTRICAL**  
 VOLTAGE RATING: 150VAC  
 CURRENT RATING: 1.5 AMP MAX  
 DIELECTRIC WITHSTANDING VOLTAGE: 1000Vrms, 1 MIN (60 Hz)  
**CABLE: SHIELDED CATEGORY 5e**  
 4 TWISTED PAIRS, 26 AWG STRANDED COPPER  
 100Ω NOMINAL IMPEDANCE  
 UL LISTED COMMUNICATION CABLE, TYPE CM  
 LIGHT GRAY LSZH JACKET
- ENVIRONMENTAL**  
 TEMPERATURE: -40°C TO 60°C

THE INFORMATION CONTAINED IN THIS DRAWING IS THE SOLE PROPERTY OF INFINITE ELECTRONICS, INC. ANY REPRODUCTION IN PART OR WHOLE WITHOUT THE WRITTEN PERMISSION OF INFINITE ELECTRONICS, INC. IS PROHIBITED. THESE COMMODITIES, TECHNOLOGY OR SOFTWARE WERE EXPORTED FROM THE UNITED STATES IN ACCORDANCE WITH THE EXPORT ADMINISTRATION REGULATIONS. DIVERSION CONTRARY TO U.S. LAW PROHIBITED.

UNLESS OTHERWISE SPECIFIED LEADING DIMENSIONS ARE INCHES DIMENSIONS IN [ ] ARE MILLIMETERS


TOLERANCES:

.X = ±.2 [5]	FRACTIONS
.XX = ±.02 [0.5]	± 1/32
.XXX = ±.005 [0.13]	ANGLES ± 1°

CABLE LENGTH TOLERANCES:

≤12 [305]	= +1 [25] / -0
>12 [305] ≤ 60 [1524]	= +2 [51] / -0
>60 [1524] ≤ 120 [3048]	= +4 [102] / -0
>120 [3048] ≤ 300 [7620]	= +6 [152] / -0
>300 [7620]	= +5% / -0

ALL DIMENSIONS ARE FOR REFERENCE ONLY AND SUBJECT TO CHANGE WITHOUT NOTICE. UN-DIMENSIONED/NON-CRITICAL FEATURES MAY VARY IN SIZE AND LOCATION. COLORS MAY VARY.



**an INFINIT@ brand**

Website: [www.L-com.com](http://www.L-com.com)  
 Phone: 1.800.341.5266 | 1.978.682.6936



INTERPRET ALL DIMENSIONS AND TOLERANCES PER ASME Y14.5

SCALE	SHEET
NONE	1 OF 1

DESCRIPTION				
TIA568 SPLITTER, 8X8 PLUG / 2 10BASE-T JACKS				
SIZE	CAGE CODE	DRAWN BY	ITEM NO.	REV
A	43321	D. PARHAM	ECS802-1	H

6

5

4

3

2

1